



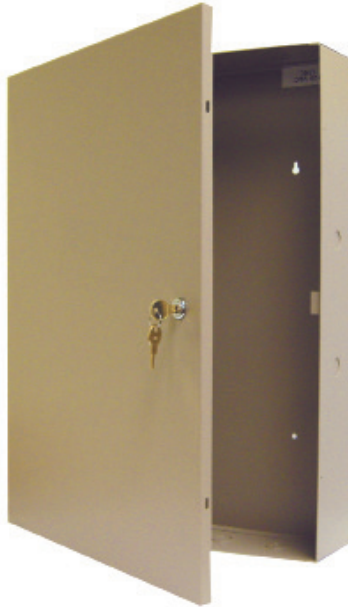
JERON[®]
electronic systems, inc.



ProAlert[™] 480

AREA OF REFUGE TWO-WAY EMERGENCY COMMUNICATION FOR RESCUE ASSISTANCE

Model: 6888-V Central Equipment Enclosure



DESCRIPTION

The Jeron Central Equipment Enclosures are used in Pro-Alert[™] 480 Rescue Assistance Systems to house the central equipment, Jeron Model 4851-VXT. They support and protect the equipment and secure the conduit.

EQUIPMENT

The heavy gauge cabinet has a welded steel construction with a durable, baked-on beige powder coat finish. The hinged cover has a one-piece piano hinge, and a tumbler lock with offset cam. The enclosure is equipped with four threaded studs and nuts on the back of the enclosure to accept the equipment subplate for various Jeron Call Systems.

TECHNICAL DATA

Mounting:	Keyholes on bottom
Construction:	16-gauge steel with hinged cover and lock
Dimensions (H x W x D):	24" x 18" x 4" (61 x 46 x 10 cm.)
Knockouts:	Four (4) 1/2" Eight (8) 3/4" or 1" concentric Two (2) 1-1/2"
Lock:	Jeron Model 9949 Tumbler lock with offset cam, two (2) keys provided
Subplate Studs:	Four (4) #10-32
Weight:	21 lbs. (9.5 kg.)
Certification:	UL 1069 Listed C-UL-Canadian Standard C22.2 No. 125



PRODUCT SUBJECT TO CHANGE WITHOUT NOTICE



Rev. 2023-09-14

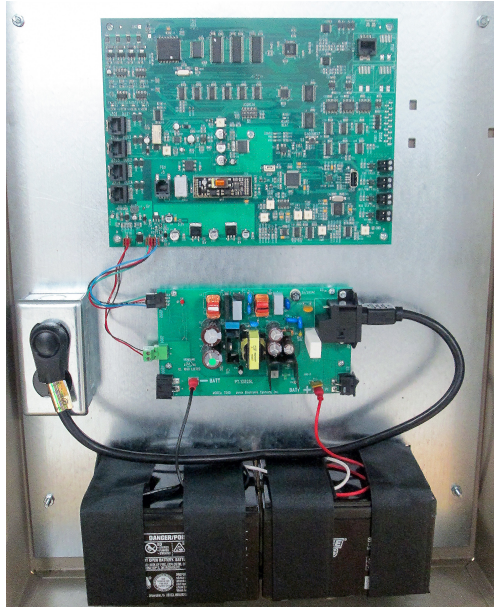
7501 N. Natchez Ave. ■ Niles, IL 60714

(773)-275-1900 ■ 1-(800)-621-1903 ■ Fax: (773)-275-0283 ■ sales@jeron.com ■ www.jeron.com

© 2023 Jeron Electronic Systems, Inc.



Model: 4851-VXT Main Control Unit



FEATURES

- Capacity for up to 70 supervised Call Stations and one Console Annunciator
- Built in PBX programmable location Voice Announce
- UL Listed power supply with 24hr battery backup
- Simplified Cat-5 wiring station-to-station
- Contacts for external panel diagnostics
- Continuous self-diagnostic test
- Meets ADA, NFPA 72, and UL 2525 requirements

DESCRIPTION

Model 4851-VXT Main Control is equipped with a line power supply with battery backup, microprocessor signal and tone control, and two-way voice amplification. It supports up to 70 series 4800 addressable Call Stations, one Model 4875-V Console all using easy to connect Cat-5 wiring. The system may optionally connect to a PBX telephone network.

The built-in PBX Voice Call Announce control is PC programmable to allow description of each calling station location. There are four remote panel diagnostic contacts for: Call, Ground Fault, Power/Console fail, and Station fail. Integrity monitoring includes continuous testing of the system wiring and components for all call station and console responses, including speaker voice coil integrity. Customizable call text and diagnostic messages are displayed at the Console. All field programming is implemented using 4890 via the USB port.

OPERATION

The Area of Refuge or Stairwell Call Station allows a building occupant to signal for assistance to a Central Control point and await assistance. Unique tones sound at the Console for Emergency conditions. If the Central Console location is not staffed, the call can be timer redirected to a preprogrammed location which is staffed 24 hours a day. The Call Station will provide audible and visual signals to confirm communications to the Central Console or remote receiver phone.

The PBX Voice Call Announce will dial and connect to the remote receiver phone, identify the preprogrammed location of the calling station when answered, and allow the receiving attendant to initiate a hands-free, live two-way voice communication between the calling and receiving stations by pressing any keypad key. Only the receiving station phone can cancel the call.

TECHNICAL DATA

Required Enclosure (H x W x D):	Model 6888 dimensions: 24" x 18" x 4" (61 x 46 x 10 cm)
Battery:	(2) - 12 V 12 Ah capacity fully charged w/ up to 70 call stations and a 4875 Console, the battery allows 24hrs in standby mode in addition to 4hrs in active mode.
Terminations:	(4) RJ-45 for Call Stations (1) RJ-45 for Consoles (4) 2-screw terminal for N.O. contacts rated 12 V @ 50 mA (1) RJ-11 PBX Phone Jack (1) USB port for PC programming
Buttons/Indicators:	(1) - Call placed LED (Yellow) (6) - Diagnostic LEDs (Red) (3) - Diagnostic LEDs (Green) (2) - Diagnostic LEDs (Yellow) (1) - Diagnostic LED (Blue)
Electrical Rating:	120/240 VAC @ 60 Hz 0.2 A AC 27 VDC @ 100 mA stand by 110 mA talk
Audio Amplifier:	Maximum 5W filtered for voice response
Environment:	Dry indoor environment Temperature range 32-120 F° (0-50 C°)
Certification:	UL 2525
Country of Origin:	Manufactured and Assembled in the U.S.A.

PRODUCT SUBJECT TO CHANGE WITHOUT NOTICE



JERON[®]
electronic systems, inc.

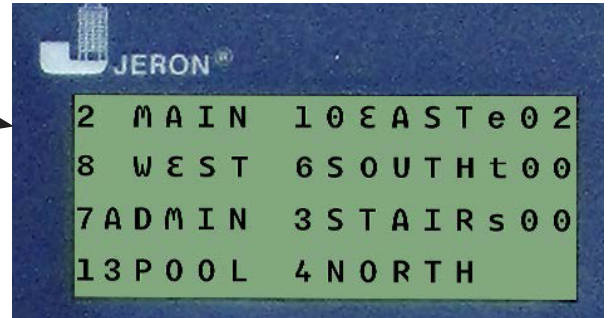


ProAlert[™] 480

AREA OF REFUGE TWO-WAY EMERGENCY COMMUNICATION FOR RESCUE ASSISTANCE

Model: 4875-V Control Console Unit

ProAlert



FEATURES

- Ultra compact console with spill-proof keypad
- Backlit display panel provides low-light readability
- Alpha-numeric display of call location
- Handset privacy communication
- Auto answer by lifting handset
- Digital volume keys
- Distinct, prioritized call tones for calls in progress
- Programmable call priority level display
- Reduced wiring - category-5 cable
- For use in a controlled access location
- Handset supervision

Cat. 4875-V shown mounted in surface panel and attached to Cat. 4812 backbox. Knockouts provided for conduit attachment to Cat. 4851-VXT Main Control enclosure.

TECHNICAL DATA

Dimensions (L x W x H):	13.56" x 9.44" x 5.0" (34.44 x 24 x 12.7 cm)
Footprint:	128 in ² (826.5 cm ²)
LCD:	Simultaneously displays the location, including floor and area, of up to eight (8) active remote call stations sending the signal and active non-displayed.
Capacity:	70 stations
Terminations:	(2) - RJ-45 MOD jacks for category-5 cable
Alert Tone Output:	92 dB @ 30 cm
Enclosure:	High impact flame retardant ABS in beige tone, flush wall mount
Control Keys (24):	Standard keypad, Clear, Menu, Tone Silence, Scroll, Volume Up-Down
Faceplate:	Included
Backbox (H x W x D):	12.31" x 8.50" x 2.875"
Electrical Rating:	27 VDC @ 66 mA
Certification:	UL 2525
Country of Origin:	Manufactured and Assembled in the U.S.A.

ProAlert[™]

PRODUCT SUBJECT TO CHANGE WITHOUT NOTICE

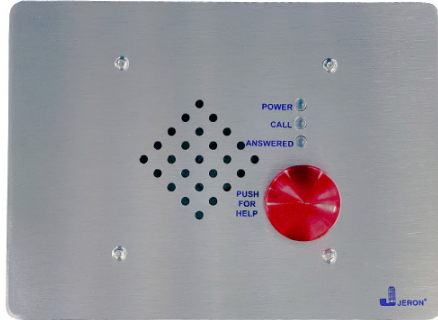


JERON[®]
electronic systems, inc.

ProAlert[™] 480

AREA OF REFUGE TWO-WAY EMERGENCY COMMUNICATION FOR RESCUE ASSISTANCE

Model: 4887 High-Security Remote Call Station



DESCRIPTION

Jeron Remote Call Stations are used in Pro-Alert 480 systems and communicate with the Control Console.

- **Blue Power ON (Nightlight) LED**
- **Vandal Resistant Construction**
- **Three-gang Faceplate**
- **Supervised Operation**
- **Speaker Voice Coil Supervision**

OPERATION

Pressing the push-for-help button on the Remote Call Station places a call on the system. A tone sounds once and the green LED indicator above the call button lights steadily to verify call placement.

When the call is acknowledged at the Console, the green call LED remains lit, the red monitor LED lights steadily, and the alert tone sounds once.

Hands-free, two-way communication may be conducted with the Console using the Remote Call Station's built-in loudspeaker.

If an acknowledged call is placed on hold, the Remote Call Station green call LED indicator flashes, the red monitor LED extinguishes, and a pulse tone is emitted.

After the call has been canceled from the Console, the LED indicators extinguish and communication is terminated.

Operation features in accordance with Standard 2525.

EQUIPMENT

The Jeron Model 4887 High Security Call Station has a three-gang panel and a vandal-resistant, 11-gauge brushed stainless steel panel on which are a mounted speaker/microphone for voice communication, a call button, and three LED indicators.

The panel resists damage from common cleaning agents.

Supervision of the station is indicated at the Console.

ARCHITECT/ENGINEER SPECIFICATIONS

The Remote Call Station shall be Jeron Cat. 4887 equipped with a 3 in. (7.6 cm) square loudspeaker/microphone. The speaker shall provide for communication between the Console and the Remote Call Station. A metal, mushroom-type, red color button shall provide the means for placing a call on the system.

The faceplate is constructed of a 1/8-in. (0.32 cm) thick stainless steel panel and equipped with tamper-proof hardware. The unit is suitable for flush wall mounting.

TECHNICAL DATA

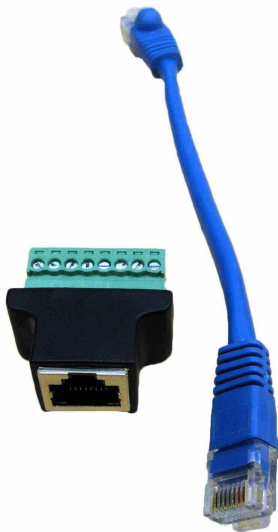
Dimensions (H x W x D):	5.5" x 7.5" x 2.5" (13.9 x 19 x 6.3 cm.)
Mounting:	Raco 952 3-gang box with 822 raised 3-gang cover or equivalent
Surface:	Jeron Cat. 4317 Surface box or equivalent
Field Connections:	(2) - RJ-45 MOD Jacks
Controls/Indicators:	(1) Call Button: <ul style="list-style-type: none"> • Metal, mushroom-type, red color • Diameter 1.30 in. (1) Blue Power LED Indicator (1) Red Monitor LED Indicator (1) Green Call LED Indicator
Max Audio Level:	Greater than 80 dB @ 1 meter
Electrical Rating:	27 VDC @ 2.4 mA
Certification:	UL 2525
Country of Origin:	Manufactured and Assembled in the U.S.A.



PRODUCT SUBJECT TO CHANGE WITHOUT NOTICE



Model: 9748 CIC to Cat-5 Adapter



FEATURES

- Fast connection using modular connectors
- Allows the user of Circuit Integrity Cable to meet local building code requirements

DESCRIPTION

The Jeron Model 9748 CIC to Cat-5 Adapter is used on ProAlert 480 installations utilizing Circuit Integrity type cable. The Model 9748 Adapter facilitates fast connections using modular connectors.

Each adapter is fitted with one 8-position plug-in screw terminal and one RJ-45 modular jack. A six inch Cat-5 modular cable for connection to ProAlert 480 bus stations is furnished with the CIC to Cat-5 Adapter.

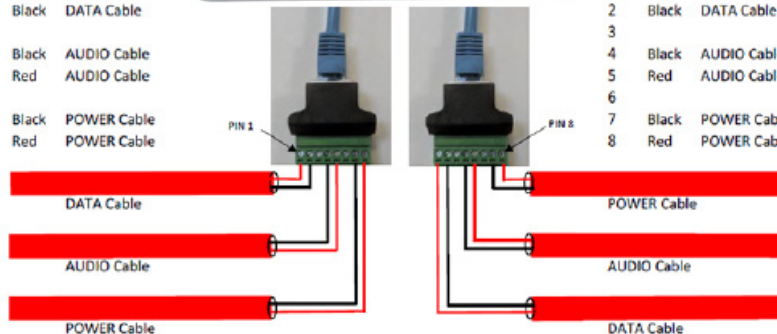
TECHNICAL DATA

Dimensions (L x W x H):	1.5 x 1.25 x 0.6 in (3.8 x 3.1 x 1.5 cm)
Included Connections:	1 - RJ-45 Modular Jack 1 - 8-position plug-in screw terminal 1 - 6" Cat-5 modular cable
Ordering Information:	CIC to Cat-5 Adapters are available in the following quantities: <ul style="list-style-type: none"> • Model 9748-10: Package of 10 • Model 9748-100: Case of 100 • Two Model 9748 Adapters are required for each ProAlert 480 bus station • Three separate 2-conductor cables are required to separate data pair from audio pair <p>Note: Use of a single 6 conductor non-twisted pair cable is not recommended</p>
UL Listed CI Cable Recommendation:	Comtran Cable, Part Number: 36337 DuraLife II Dual Rate CI/CIC FPLP = CTU18A0102 DuraLife CI for Free Air FPLP = CFU18A0102 18 AWG unshielded twisted pair



- | | | |
|-----|-------|-------------|
| PIN | | |
| 1 | Red | DATA Cable |
| 2 | Black | DATA Cable |
| 3 | | |
| 4 | Black | AUDIO Cable |
| 5 | Red | AUDIO Cable |
| 6 | | |
| 7 | Black | POWER Cable |
| 8 | Red | POWER Cable |

- | | | |
|-----|-------|-------------|
| PIN | | |
| 1 | Red | DATA Cable |
| 2 | Black | DATA Cable |
| 3 | | |
| 4 | Black | AUDIO Cable |
| 5 | Red | AUDIO Cable |
| 6 | | |
| 7 | Black | POWER Cable |
| 8 | Red | POWER Cable |



PRODUCT SUBJECT TO CHANGE WITHOUT NOTICE



JERON[®]
electronic systems, inc.

ProAlert[™] 480

AREA OF REFUGE TWO-WAY EMERGENCY COMMUNICATION FOR RESCUE ASSISTANCE

Model: 4884 High-Security Remote Call Station



DESCRIPTION

Jeron Remote Call Stations are used in Pro-Alert 480 systems and communicate with the Control Console.

- Blue Power ON (Nightlight) LED
- Vandal Resistant Construction
- Two-gang Faceplate
- Supervised Operation
- Speaker Voice Coil Supervision

OPERATION

Pressing the push-for-help button on the Remote Call Station places a call on the system. A tone sounds once and the green LED indicator above the call button lights steadily to verify call placement.

When the call is acknowledged at the Console, the green call LED remains lit, the red monitor LED lights steadily, and the alert tone sounds once.

Hands-free, two-way communication may be conducted with the Console using the Remote Call Station's built-in loudspeaker.

If an acknowledged call is placed on hold, the Remote Call Station green call LED indicator flashes, the red monitor LED extinguishes, and a pulse tone is emitted.

After the call has been canceled from the Console, the LED indicators extinguish and communication is terminated.

Operation features in accordance with Standard 2525.

EQUIPMENT

The Jeron Model 4884 High Security Call Station has a two-gang panel and a vandal-resistant, 11-gauge brushed stainless steel panel on which are a mounted speaker/microphone for voice communication, a call button, and three LED indicators.

The panel resists damage from common cleaning agents.

Supervision of the station is indicated at the Console.

ARCHITECT/ENGINEER SPECIFICATIONS

The Remote Call Station shall be Jeron Cat. 4884 equipped with a 3 in. (7.6 cm) square loudspeaker/microphone. The speaker shall provide for communication between the Console and the Remote Call Station. A metal, mushroom-type, red color button shall provide the means for placing a call on the system.

The faceplate is constructed of a 1/8-in. (0.32 cm) thick stainless steel panel and equipped with tamper-proof hardware. The unit is suitable for flush wall mounting.

TECHNICAL DATA

Dimensions (H x W x D):	4.5" x 4.5" x 2.5" (11.4 x 11.4 x 6.3 cm.)
Mounting:	Raco 232 2 or 3-gang box with 778 raised 2-gang cover or equivalent
Field Connections:	(2) - RJ-45 MOD Jacks
Controls/Indicators:	(1) Call Button: <ul style="list-style-type: none"> • Metal, mushroom-type, red color • Diameter 1.30 in. (1) Blue Power LED Indicator (1) Red Monitor LED Indicator (1) Green Call LED Indicator
Max Audio Level:	Greater than 80 dB @ 1 meter
Electrical Rating:	27 VDC @ 2.4 mA
Certification:	UL 2525
Country of Origin:	Manufactured and Assembled in the U.S.A.



PRODUCT SUBJECT TO CHANGE WITHOUT NOTICE