

## ***Addendum***

# ***Pro-Alert™ UL2525 Listed Area of Rescue Assistance Intercom System***

### ***System Design Guide***

04/12/2023

**Current version includes the following updates:**

- Added Table of Contents
- Added Figure and Table Captions
- Moved the Model 4895 Instructional Signage and Model 4896 Instructional Signage information to Table 6 (p. 7)
- Reformatted text for easier readability



Page intentionally left blank



# **Pro-Alert™ 480 Area of Rescue Assistance Intercom System**

***UL2525 Listed***

***System Design Guide***

**04/12/2023**



## Table of Contents

System Design Guide Form .....	1
480 Component Diagram .....	2
Typical Cat-5 Wiring Diagram .....	3
System Capacity .....	4
Mounting Equipment Specifications .....	4
Central Equipment Models .....	5
Control Console Models .....	6
Remote Call Station Models .....	6
Accessory Models .....	7
Software Models .....	7

# System Design Guide Form

---

Fill out the required information below before completing the equipment form:

**Distributor/Dealer:**

Name: \_\_\_\_\_

Address: \_\_\_\_\_

Phone: \_\_\_\_\_

Fax/Email: \_\_\_\_\_

\_\_\_\_\_

**Installation for:**

Name: \_\_\_\_\_

Address: \_\_\_\_\_

\_\_\_\_\_

Phone: \_\_\_\_\_

Fax/Email: \_\_\_\_\_

Project Size	
Total Number of Control Consoles:	Total Number of Remote Rooms:

Please list any special requirements or optional equipment:

\_\_\_\_\_

\_\_\_\_\_

\_\_\_\_\_

\_\_\_\_\_

\_\_\_\_\_

**Use the System Design Guide in conjunction with the price list.**

# 480 Component Diagram

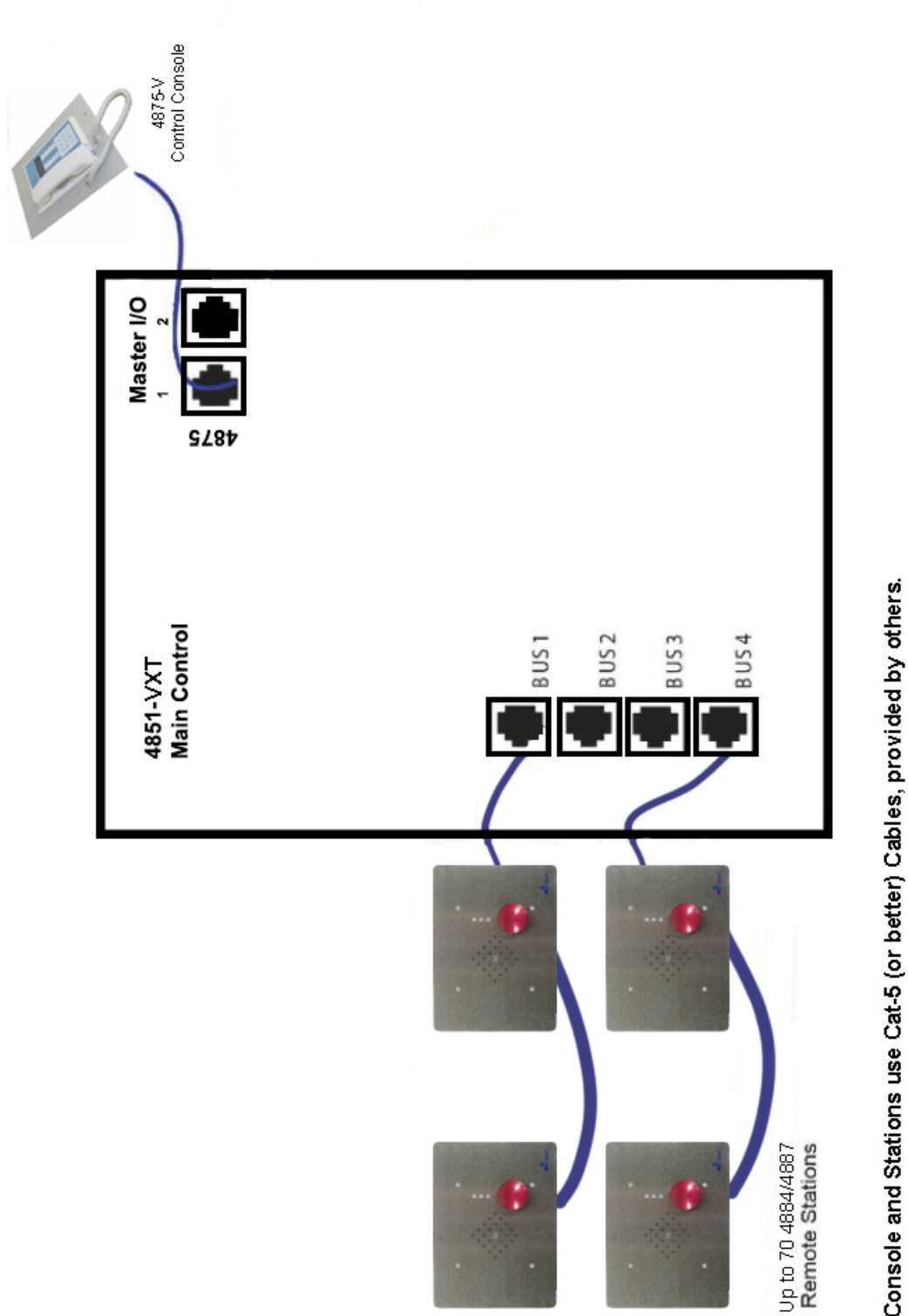
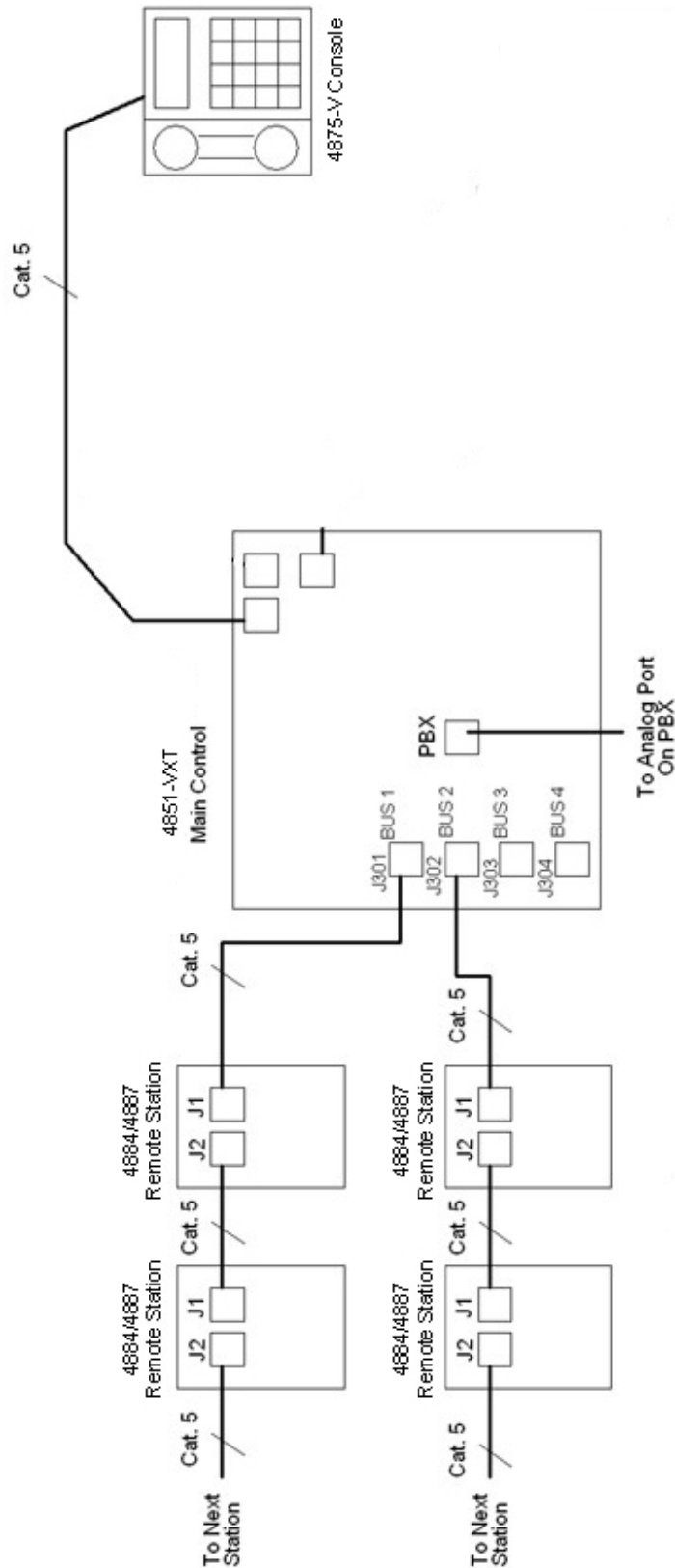


Figure 1: Component Diagram

# Typical Cat-5 Wiring Diagram



**Note:** 1) Wire in accordance with NEC and local code for class 2 signal.  
 2) Refer to installation sheets for detailed wiring.

Figure 2: Cat-5 Wiring of System

## System Capacity

Model #	Main Control	Bus Stations	Control Consoles	Independent Audio Circuits
4851-V/VXT Main Control System	1	70	Model 4875-V	1

*Table 1: 4851-V/VXT Main Control System Capacity*

## Mounting Equipment Specifications

Model #	Station	H x W x D (inches)	Faceplate		Backbox		Raco Plaster Ring #
			Type	Gang	Raco#	Gang	
4884	High Security Call Station	4.5 x 4.5 x 2.5	Stainless	2	232	2	778
4887	High Security Remote Call Station	5.5 x 7.5 x 2.5	Stainless	3	952	3	822
4851-VXT	Main Control	10 x 14 x 2.5	Uses Jeron Model 6888 Equipment Enclosure				
4875-V	Wall-Mount Control Console	13.2 x 9.5 x 3.25 in <b>Footprint:</b> 55 in <sup>2</sup> (354 cm <sup>2</sup> )	PC/ABS	2	Flush wall-mount with 4812 Back Box		

*Table 2: Mounting Equipment Specifications*

## Central Equipment Models



4851-VXT Main Control w/ Extended Battery Backup	Quantity	Unit Price	Total Price
<p>The capacity of one (1) Main Control includes:</p> <ul style="list-style-type: none"> <li>• 70 bus stations,</li> <li>• One (1) Control Console,</li> <li>• Integral power supply and battery backup w/ 120VAC connection,</li> <li>• Integral PBX Interface,</li> <li>• Integral Call/Diagnostic Relays.</li> </ul> <p>For quick reference, refer to Table 1 (p. 4).</p> <p>Two (2) 12v 12Ah-capacity fully charged batteries allows:</p> <ul style="list-style-type: none"> <li>• 24-hours of stand-by mode, in addition to 4-hours of active mode,</li> <li>• One (1) Model 4875-V Control Console,</li> <li>• Up to 70 remote call stations.</li> </ul> <p>*Use Model 6888 Enclosure</p>		\$	\$
<b>6888 Enclosure</b>	<b>Quantity</b>	<b>Unit Price</b>	<b>Total Price</b>
<p>Used to house the Model 4851-VXT central equipment.</p>		\$	\$

Table 3: Central Equipment Models

## Control Console Models



4875-V Wall-Mount Control Console	Quantity	Unit Price	Total Price
Compact Control Console connects to the Main Control with a Cat-5 cable for reduced wiring.  Wall mounts with a Model 4812 back box or equivalent.  *For use with Model 4895 Master Control Console Instructional Signage. Refer to Table 6 (p. 7).		\$	\$

Table 4: Control Console Models

## Remote Call Station Models



4884 High Security Remote Call Station	Quantity	Unit Price	Total Price
Used to communicate with Control Console. The Station is equipped with: <ul style="list-style-type: none"> <li>• One (1) mushroom button,</li> <li>• Vandal-resistant construction,</li> <li>• 2-gang trim-plate for flush mounting.</li> </ul> Back box: Raco 232 2-gang box with 778 raised 2-gang cover or equivalent.  *For use with Model 4896 Call Station Instructional Signage. Refer to Table 6 (p. 7).		\$	\$



4887 High Security Remote Call Station	Quantity	Unit Price	Total Price
Used to communicate with Control Console. The Station is equipped with: <ul style="list-style-type: none"> <li>• One (1) mushroom button,</li> <li>• Call assurance/monitor LEDs,</li> <li>• Vandal-resistant construction,</li> <li>• 3-gang trim-plate for flush mounting.</li> </ul> Back box: Flush: Raco 952 gang box with Raco 822 raised cover or equivalent.  *For use with Model 4896 Call Station Instructional Signage. Refer to Table 6 (p. 7).		\$	\$



9748 CIC to Cat-5 Adapter	Quantity	Unit Price	Total Price
Used on Pro-Alert 480 installations utilizing Circuit Integrity type cable. Facilitates fast connections using modular connectors.  Available in the following quantities: 9748-10: Package of 10 9748-100: Case of 100		\$	\$

Table 5: Remote Call Station Models

## Accessory Models

4812 Back Box for 4875-V	Quantity	Unit Price	Total Price
Required for wall mounting Model 4875-V Control Console.		\$	\$
4895 Master Control Console Instructional Signage	Quantity	Unit Price	Total Price
Frameable operating instructions for Model 4875-V Control Console.		\$	\$
4896 Call Station Instructional Signage	Quantity	Unit Price	Total Price
Frameable operating instructions (in text and Braille) and location information for Call Station Models 4884 and 4887.		\$	\$



Table 6: Accessory Models

## Software Models

4890 Administrative Programming Software	Quantity	Unit Price	Total Price
A Windows-based utility for creating, editing, backing up, and restoring 480 configurations using a connected PC with a serial and USB port.		\$	\$

Table 7: Software Models

## Total Price

Total Price
\$